

- 1** For babysitting, Becky charges according to the equation $C = 5n + 9$, where C is the amount charged, in dollars, and n is the number of hours she babysits.

Which statement about this situation is correct?

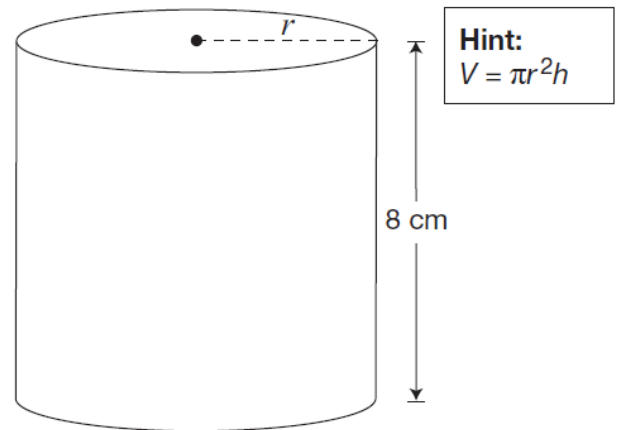
- a Becky charges \$14 per hour.
- b Becky charges a flat fee of \$14.
- c Becky charges an initial fee of \$5, plus \$9 per hour.
- d Becky charges an initial fee of \$9, plus \$5 per hour.

- 2** Each week, Marissa withdraws the same amount from her bank account.

The equation $A = 1550 - 90w$ represents the relationship between the amount of money remaining in her account, A , in dollars, and the number of weeks of withdrawing, w .

For how many weeks has Marissa made withdrawals when the amount remaining in the account is \$110?

- 3** The volume of the cylinder shown below is 408 cm^3 .



Which of the following is closest to the radius of the cylinder?

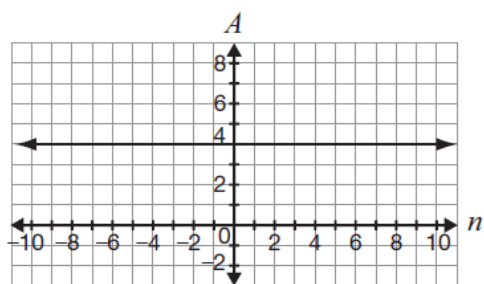
- a 4 cm
- b 8 cm
- c 14 cm
- d 16 cm

- 4** Water is being pumped to empty a swimming pool.

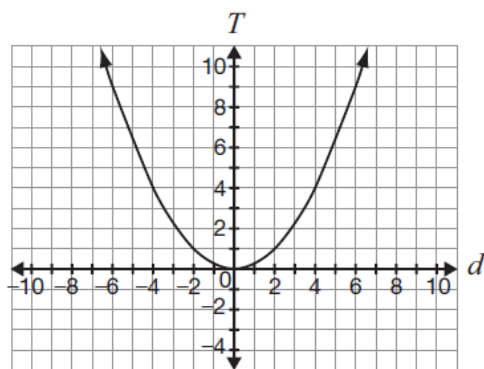
At 6 a.m., the water level is 150 cm. Every 2 hours, the water level drops by 30 cm.

What is the earliest time when the pool will be empty?

5 Consider the four different relationships represented below.



w	A
0	0
2	14
4	20
6	18
8	8

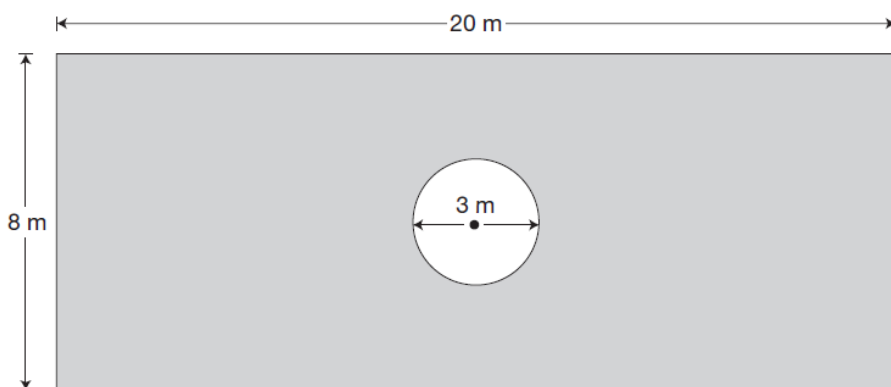


n	C
1	13
2	9
3	6
4	4
5	3

How many are linear relationships?

- a 1
- b 2
- c 3
- d 4

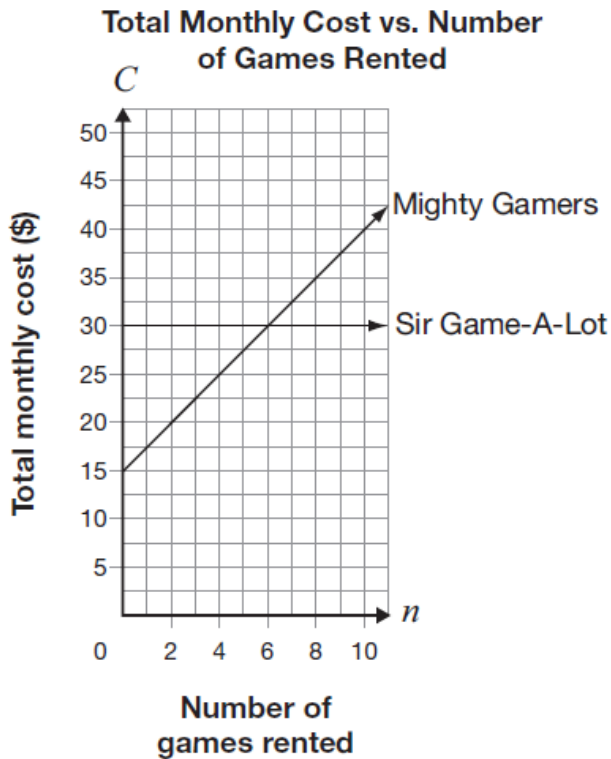
6 Terry is painting the shaded area of the rectangular wall shown below.



The average cost of paint is \$0.40/m².

Determine the total cost of the paint needed to cover the shaded area of the wall.

- 7 Data about the total monthly cost to rent video games from two online game sites are shown on the graph below.



Which of the following statements is true?

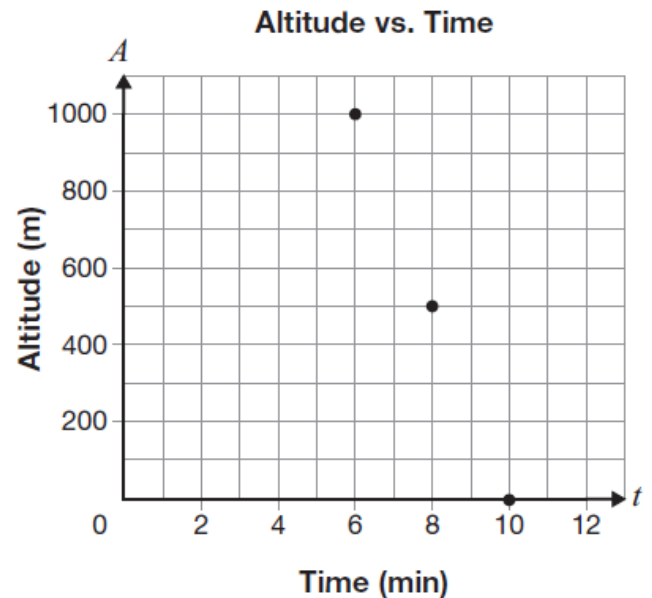
- a It costs more to rent from Sir Game-A-Lot after 6 games.
- b It costs less to rent from Mighty Gamers after 30 games.
- c It costs the same amount to rent 6 games from the two sites.
- d It costs the same amount to rent 30 games from the two sites.

- 8 What is the value of x in the equation

$$25 - \sqrt{x} = 9?$$

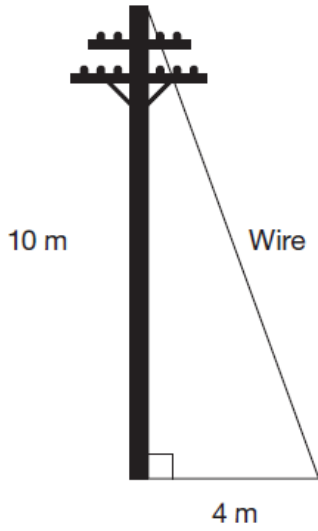
- a 4
- b 16
- c 225
- d 256

- 9 Each of the three points on the grid below gives information about the altitude of a hot air balloon at a certain time.



If the relationship between altitude and time is linear, what was the altitude of the balloon at 4 minutes?

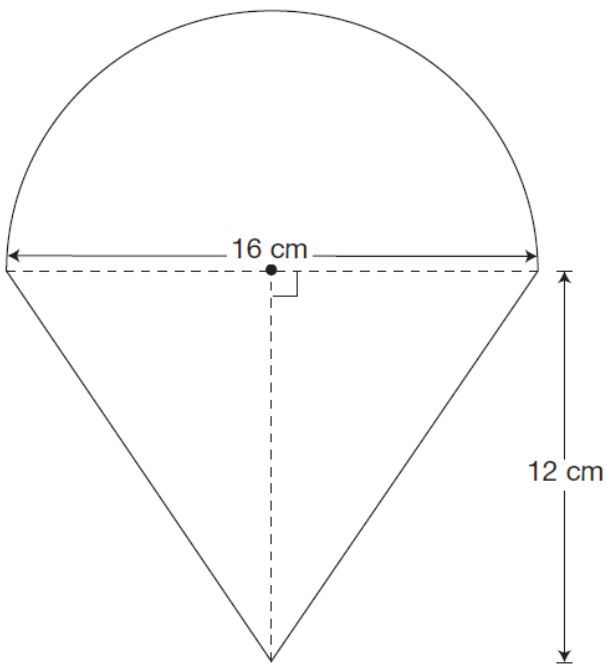
- 10** A wire is attached from the top of a 10 m pole to a spot on the ground 4 m away from the base of the pole, as shown below.



Which of the following is closest to the length of the wire?

- a 11 m
- b 14 m
- c 20 m
- d 28 m

- 11** The shape below is made of a semicircle and a triangle.



Determine the area of this shape.